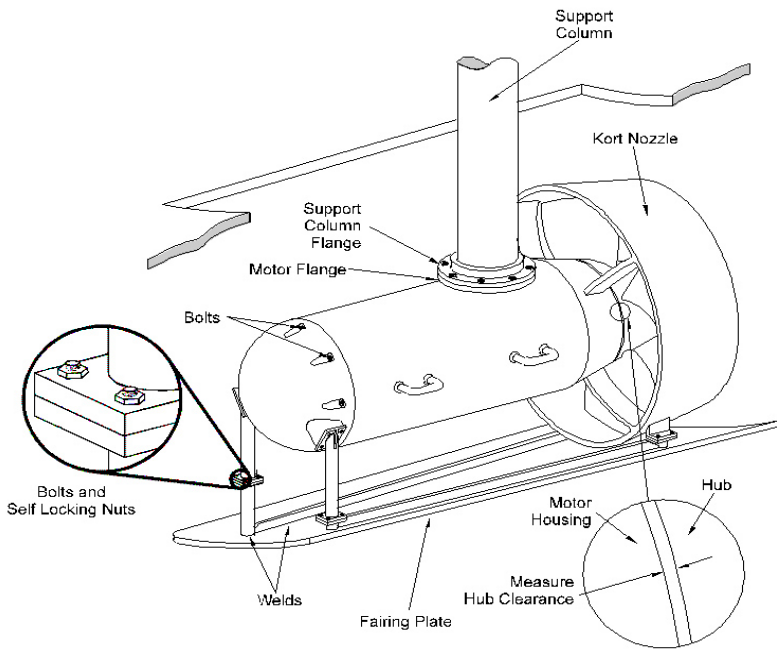


AUXILIARY PROPULSION UNIT INSPECTION DATA

| | | | |
|-----|-------------|-----------------|-----------------|
| USS | HULL NUMBER | LOCATION (CITY) | DATE (M/D/YYYY) |
|-----|-------------|-----------------|-----------------|

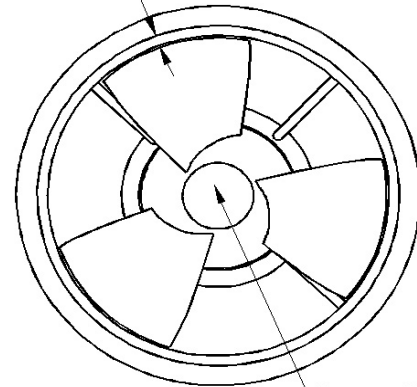
Indicate Appropriate Unit Stbd Port

APU - EXTENDED



KORT NOZZLE & BLADES

Inspect Blade/Nozzle Clearance



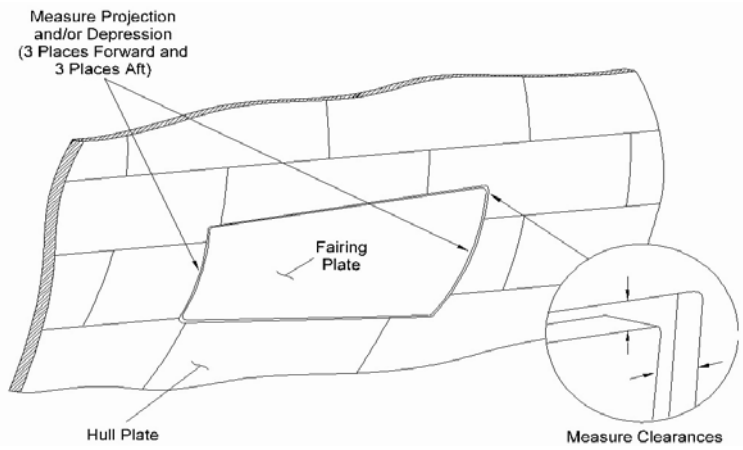
Record Clearance Measurements:

(Pull AFT) - (Push FWD) = Difference

| | | | |
|--------------------------|---|---|---|
| Hub to Motor Housing | | | |
| | 1 | 2 | 3 |
| Blade Tip to Kort Nozzle | | | |

| | FWD | | AFT | |
|---------------|------------|-------|------------|-------|
| | Proj / Dep | a. b. | Proj / Dep | a. b. |
| Fairing Plate | | | | |
| Outboard | | | | |
| Mid Point | | | | |
| Inboard | | | | |

APU - RETRACTED



| | FR | PDR |
|----------------|----|-----|
| Propeller | | |
| Motor Housing | | |
| Support Column | | |
| Fairing Plate | | |

Condition Summary: