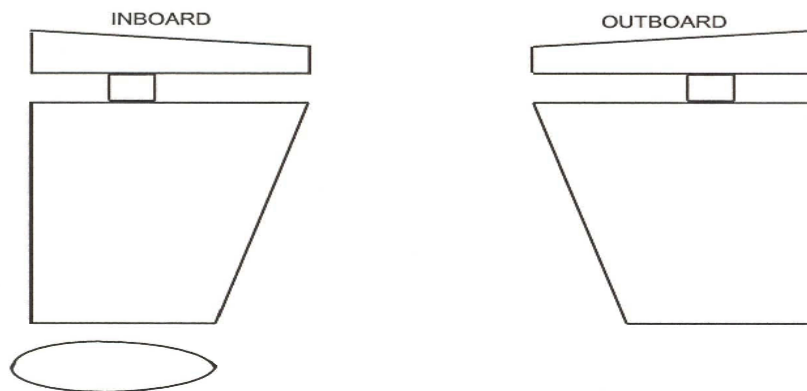
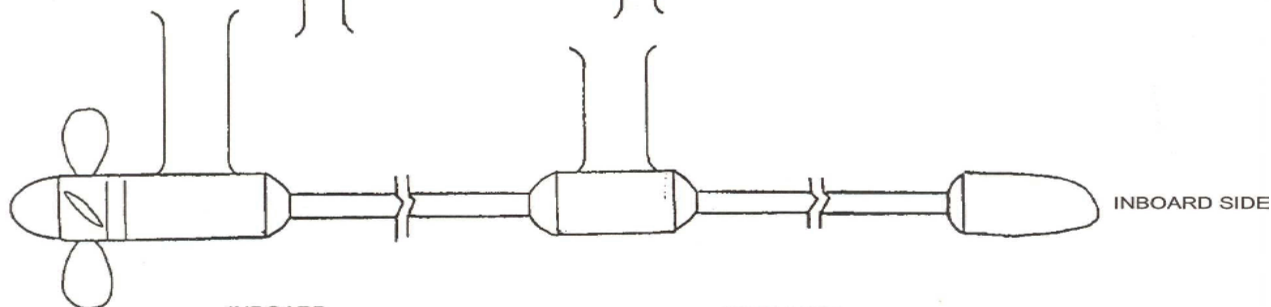
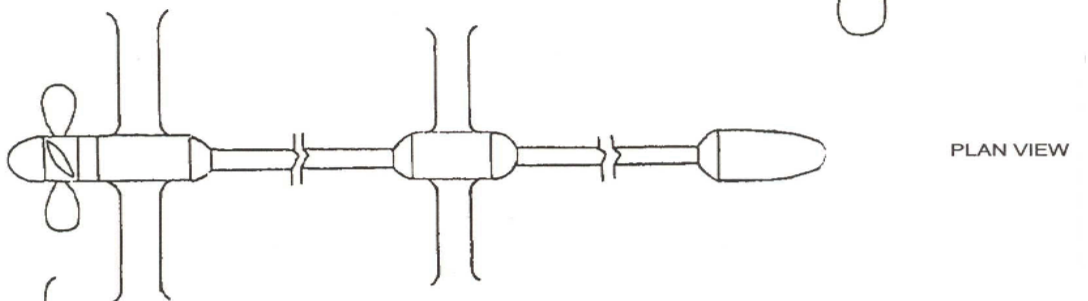
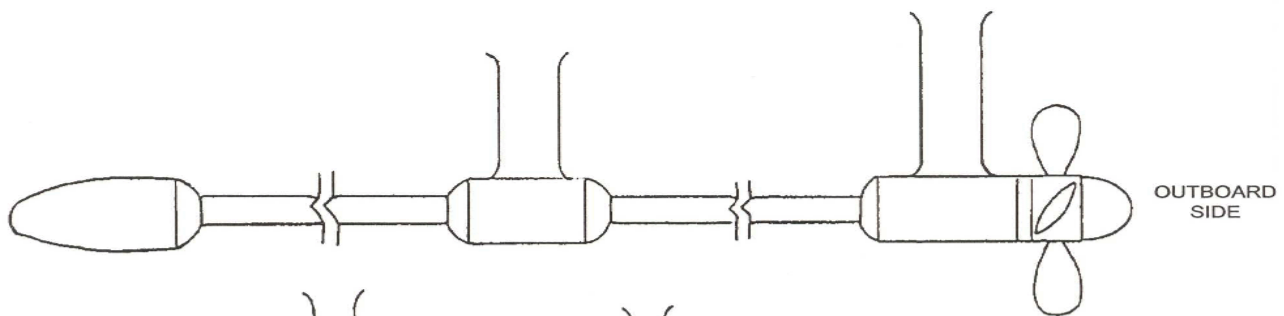


PORT RUNNING GEAR AND RUDDER INSPECTION DATA

USS	HULL NUMBER	LOCATION (CITY)	DATE (MD/YYYY)
-----	-------------	-----------------	----------------



Condition Summary: