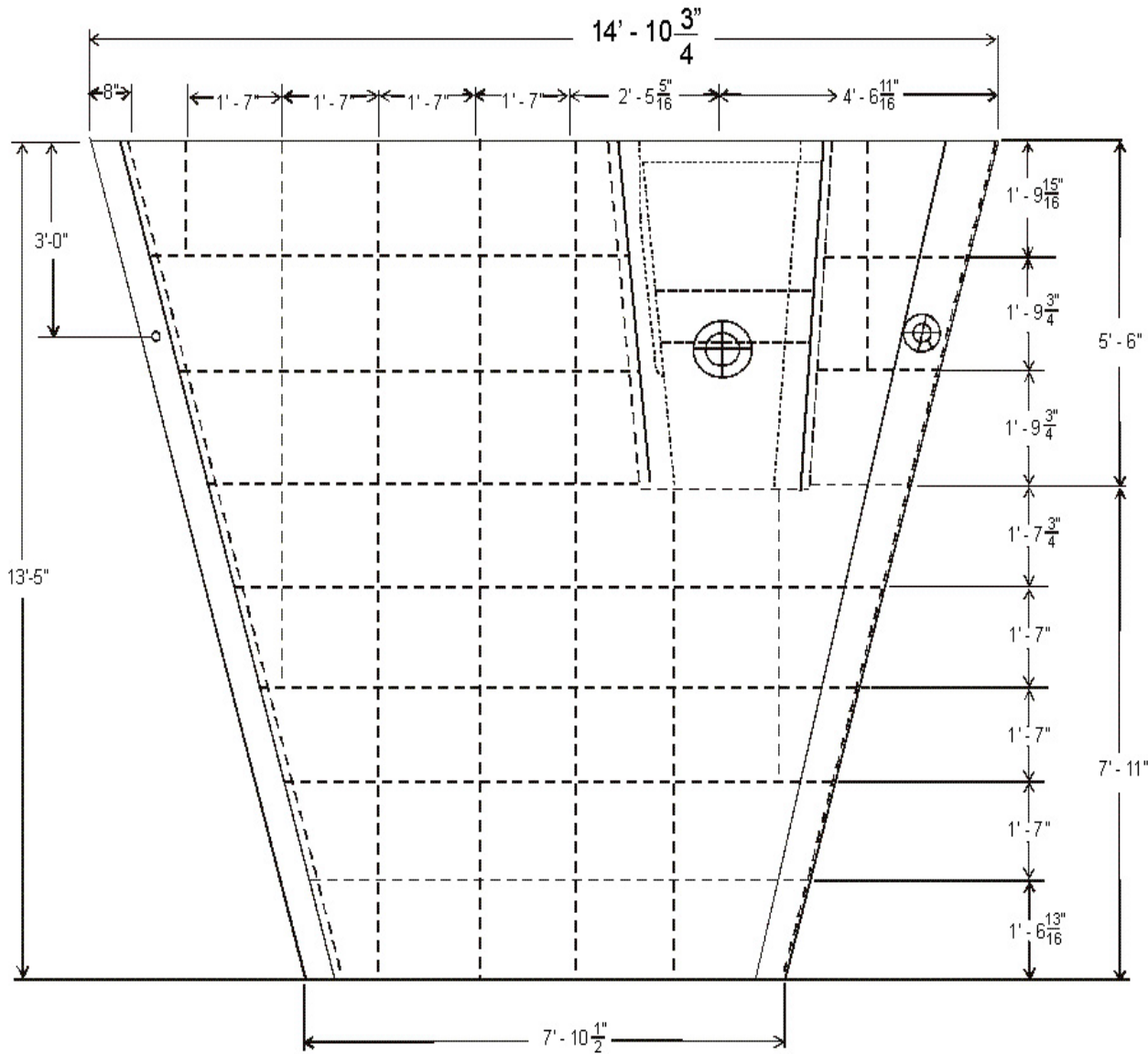


DDG 51 RUDDER INSPECTION DATA

USS	HULL NUMBER	LOCATION (CITY)	DATE (M/D/YYYY)
-----	-------------	-----------------	-----------------

Indicate Appropriate View: STBD PORT INBOARD OUTBOARD

Inspect the entire surface area for the rudder for any cracks, marks, gouges or scrapes. Pay special attention to the center region of the rudder and all weld seams. Measure and record the extent (length, width, depth), orientation, and location of all irregularities.



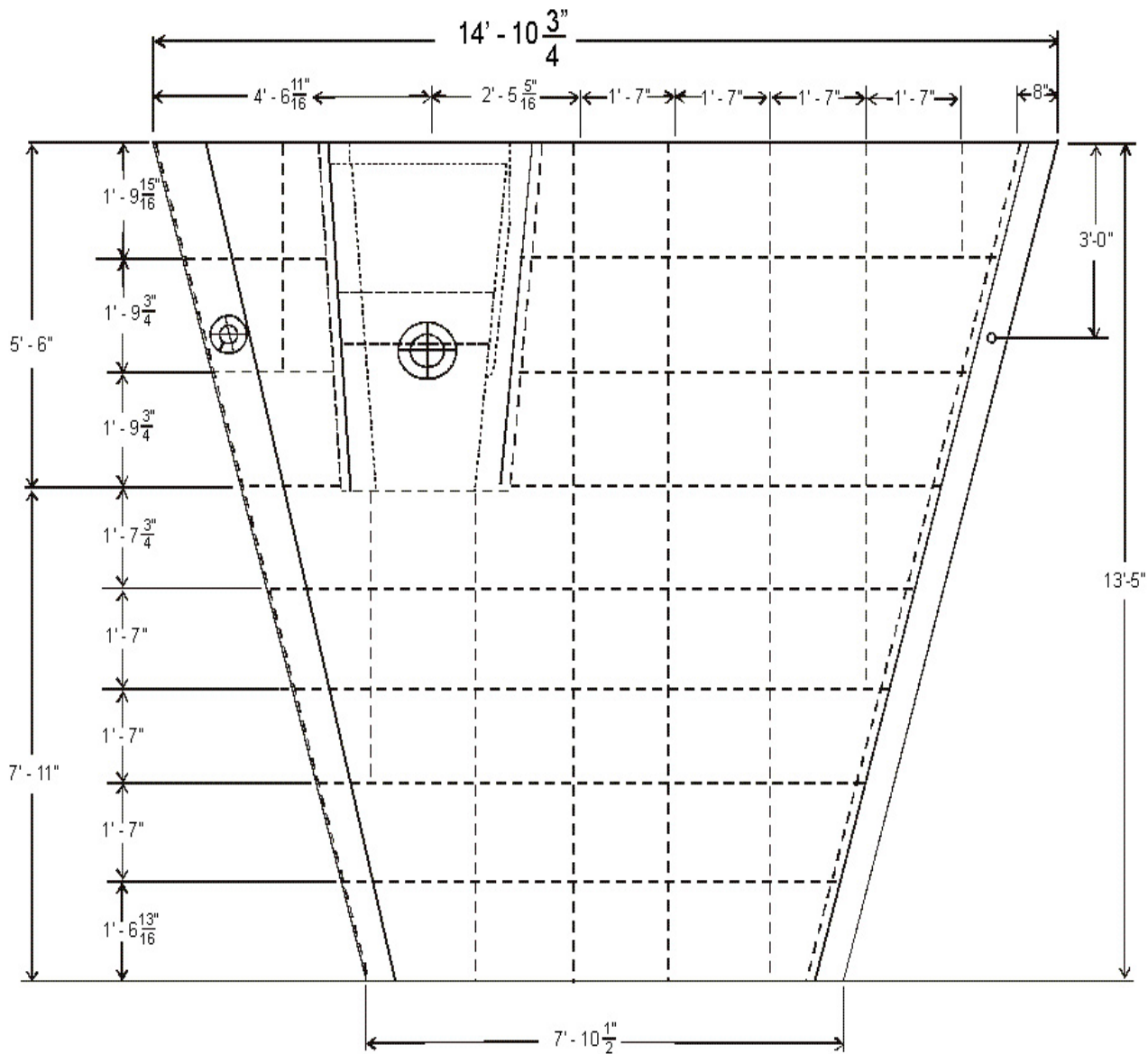
Condition Summary:

DDG 51 RUDDER INSPECTION DATA

USS	HULL NUMBER	LOCATION (CITY)	DATE (M/D/YYYY)
-----	-------------	-----------------	-----------------

Indicate Appropriate View: STBD PORT INBOARD OUTBOARD

Inspect the entire surface area for the rudder for any cracks, marks, gouges or scrapes. Pay special attention to the center region of the rudder and all weld seams. Measure and record the extent (length, width, depth), orientation, and location of all irregularities.



Condition Summary: